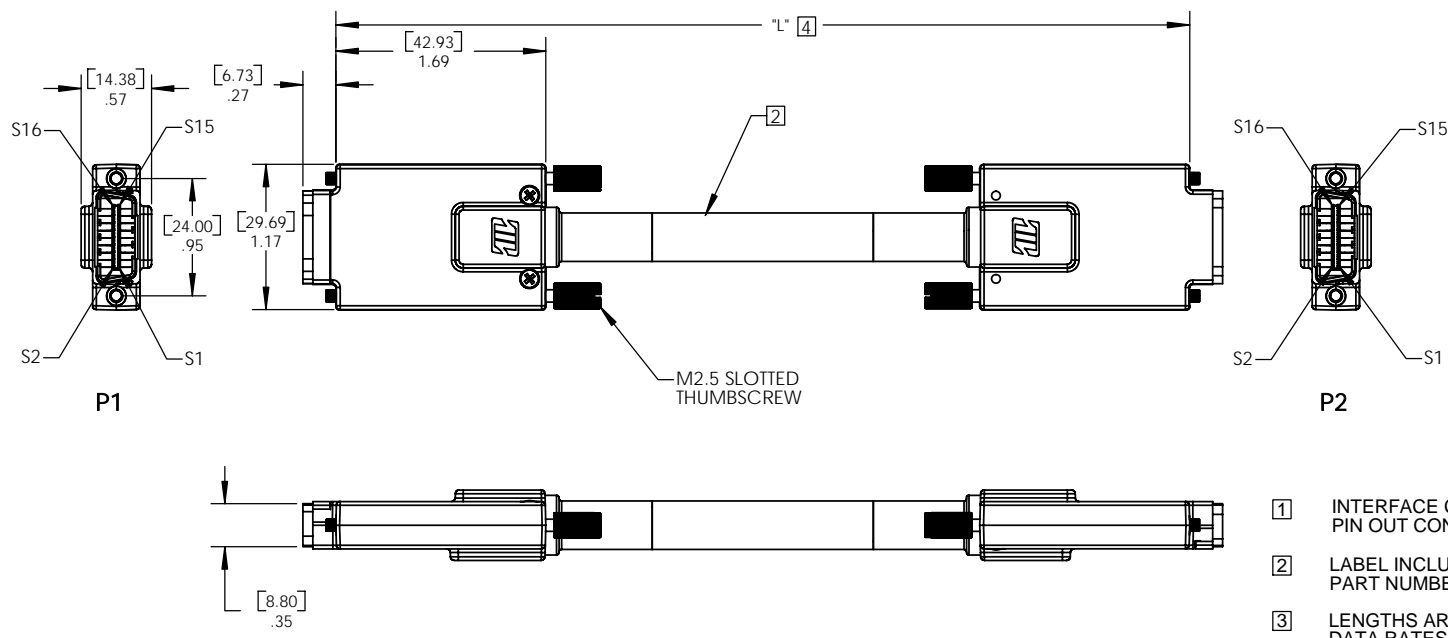


SYM	REVISION	DATE	BY
A	ECO#1382-001	3/17/05	JCD



- 1 INTERFACE CONFORMS TO INFINIBAND™ STANDARD
PIN OUT CONFORMS TO INFINIBAND™ STANDARD
- 2 LABEL INCLUDES MERITEC; DATE CODE; AND PART NUMBER
- 3 LENGTHS ARE BASED ON THE FOLLOWING DATA RATES:
INFINIBAND - 2.5 Gbps
CX4 - 3.25 Gbps
SAS - 3.0 Gbps

STANDARD PART NUMBERS - CONSULT FACTORY FOR CUSTOM CONFIGURATIONS
4X STRAIGHT BACKSHELL WITH THUMBSCREWS

24 AWG CABLE					26 AWG CABLE					28 AWG CABLE				
"L"	Meritec P/N	IB	CX4	SAS	"L"	Meritec P/N	IB	CX4	SAS	"L"	Meritec P/N	IB	CX4	SAS
Meters					Meters					Meters				
0.5	986112-000.5	yes	yes	yes	0.5	986122-000.5	yes	yes	yes	0.5	986132-000.5	yes	yes	yes
1	986112-001	yes	yes	yes	1	986122-001	yes	yes	yes	1	986132-001	yes	yes	yes
2	986112-002	yes	yes	yes	2	986122-002	yes	yes	yes	2	986132-002	yes	yes	yes
3	986112-003	yes	yes	yes	3	986122-003	yes	yes	yes	3	986132-003	yes	yes	yes
4	986112-004	yes	yes	yes	4	986122-004	yes	yes	yes	4	986132-004	yes	yes	yes
5	986112-005	yes	yes	yes	5	986122-005	yes	yes	yes	5	986132-005	yes	yes	yes
6	986112-006	yes	yes	yes	6	986122-006	yes	yes	yes	6	986132-006	yes	yes	yes
7	986112-007	yes	yes	yes	7	986122-007	yes	yes	yes	7	986132-007	no	yes	yes
8	986112-008	yes	yes	yes	8	986122-008	no	yes	yes	8	986132-008	no	yes	yes
10	986112-010	no	yes	yes	10	986122-010	no	yes	yes	10	986132-010	no	yes	yes
12	986112-012	no	yes	yes	11.5	986122-011.5	no	yes	yes	11.5	986132-011.5	no	yes	no
14	986112-014	no	yes	yes	12	986122-012	no	yes	no					
16	986112-016	no	yes	no	13	986122-013	no	yes	no					
17	986112-017	no	yes	no										

4 TOLERANCE TABLE:

ITEM#	"L" LENGTH	TOLERANCE
1	UP TO 1M	± 15.0mm
2	1M TO 10M	± 3% OF "L"
3	GREATER THAN 10 M	+0/-5% OF "L"

THIS DOCUMENT AND THE INFORMATION IN IT ARE CONFIDENTIAL PROPERTY OF MERITEC. THE DOCUMENT AND INFORMATION ARE PROVIDED TO YOU FOR YOUR REVIEW AND EVALUATION AND MUST NOT BE FURNISHED OR DISCLOSED TO OTHERS WITHOUT PRIOR WRITTEN CONSENT BY AN AUTHORIZED REPRESENTATIVE OF MERITEC.

UNLESS OTHERWISE NOTED DIMENSIONS ARE IN INCHES

XX	XXX	XXXX
+ []	+ []	+ []

ANGLES: FINISH: TITLES: PROJECT No: SCALE: SHEET: 1 OF 1

DRAWN: JCD DATE: 8/20/2004
CHECKED: DATE:
RELEASED: DATE:
NEXT ASSY DWG.

FIG No: 1382-00130

MERITEC
A DIVISION OF ASSOCIATED ENTERPRISES
CONFIDENTIAL PROPRIETARY INFORMATION

4X STRAIGHT DIRECT ATTACH WITH THUMBSCREWS