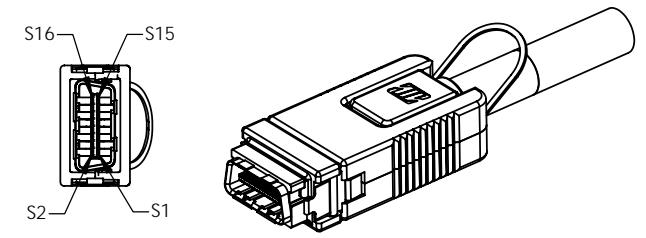
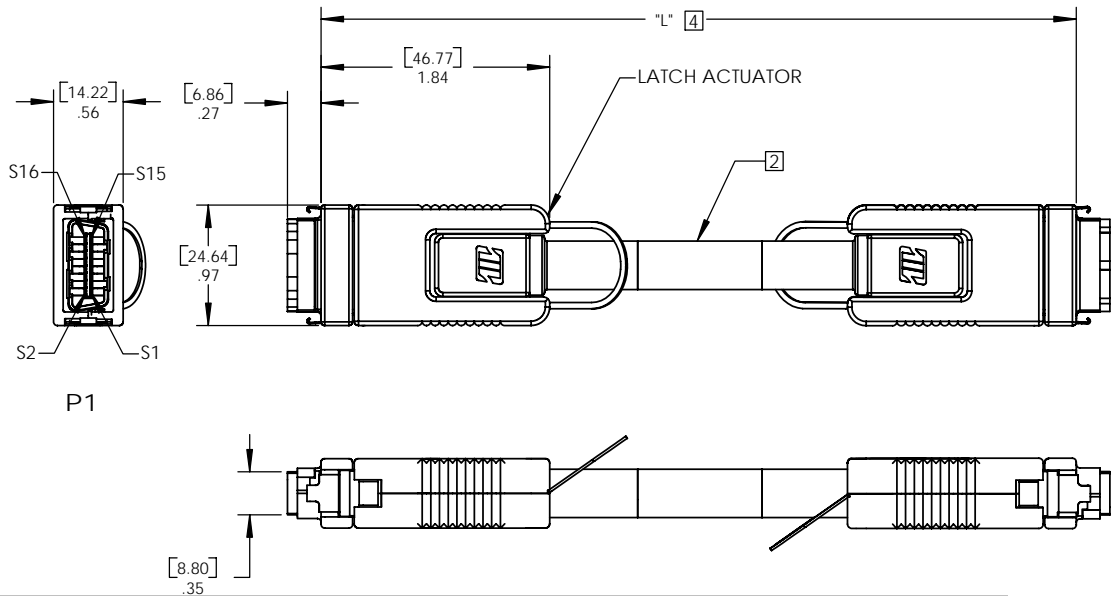


SYM	REVISION	DATE	BY
C	ECO#1382-079	4/6/2005	JCD



P2

- 1 INTERFACE CONFORMS TO INFINIBAND™ STANDARD
PIN OUT CONFORMS TO INFINIBAND™ STANDARD
- 2 LABEL INCLUDES MERITEC; DATE CODE; AND
PART NUMBER
- 3 LENGTHS ARE BASED ON THE FOLLOWING
DATA RATES:
INFINIBAND - 2.5 Gbps
CX4 - 3.25 Gbps

4 TOLERANCE TABLE:

ITEM#	"L" LENGTH	TOLERANCE
1	UP TO 1M	± 15.0mm
2	1M TO 10M	± 3% OF "L"
3	GREATER THAN 10 M	+0/-5% OF "L"

STANDARD PART NUMBERS - CONSULT FACTORY FOR CUSTOM CONFIGURATIONS
4X STRAIGHT BACKSHELL WITH LATCH ACTUATOR

24 AWG CABLE				26 AWG CABLE				28 AWG CABLE			
"L"	Meritec P/N	IB	CX4	"L"	Meritec P/N	IB	CX4	"L"	Meritec P/N	IB	CX4
Meters				Meters				Meters			
0.5	986111-000.5	yes	yes	0.5	986121-000.5	yes	yes	0.5	986131-000.5	yes	yes
1	986111-001	yes	yes	1	986121-001	yes	yes	1	986131-001	yes	yes
2	986111-002	yes	yes	2	986121-002	yes	yes	2	986131-002	yes	yes
3	986111-003	yes	yes	3	986121-003	yes	yes	3	986131-003	yes	yes
4	986111-004	yes	yes	4	986121-004	yes	yes	4	986131-004	yes	yes
5	986111-005	yes	yes	5	986121-005	yes	yes	5	986131-005	yes	yes
6	986111-006	yes	yes	6	986121-006	yes	yes	6	986131-006	yes	yes
7	986111-007	yes	yes	7	986121-007	yes	yes	7	986131-007	no	yes
8	986111-008	yes	yes	8	986121-008	no	yes	8	986131-008	no	yes
10	986111-010	no	yes	10	986121-010	no	yes	10	986131-010	no	yes
12	986111-012	no	yes	11.5	986121-011.5	no	yes	11.5	986131-011.5	no	yes
14	986111-014	no	yes	12	986121-012	no	yes				
16	986111-016	no	yes	13	986121-013	no	yes				
17	986111-017	no	yes								

THIS DOCUMENT AND THE INFORMATION IN IT ARE CONFIDENTIAL PROPERTY OF MERITEC. THE DOCUMENT AND INFORMATION ARE PROVIDED TO YOU FOR YOUR REVIEW AND EVALUATION AND MUST NOT BE FURNISHED OR DISCLOSED TO OTHERS WITHOUT PRIOR WRITTEN CONSENT BY AN AUTHORIZED REPRESENTATIVE OF MERITEC.	UNLESS OTHERWISE NOTED DIMENSIONS ARE IN INCHES			 <small>A DIVISION OF ASSOCIATED ENTERPRISES CONFIDENTIAL PROPRIETARY INFORMATION</small>
	XX	XXX	XXXX	
	+ []	+ []	+ []	FINISH
	ANGLES			DATE: 8/20/2004
	+ []			PROJECT No: 1382-00121
DRAWN: JCD	CHECKED:	RELEASED:	DATE:	SCALE: NA
				SHEET: 1 OF 1
				FIG. No: 1382-00121
				C