

Fig. 1 Cable assembly bend radius 24 AWG

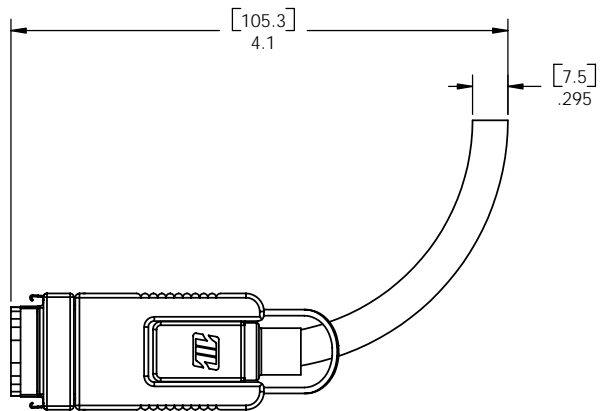


Fig. 2 Cable assembly bend radius 26 AWG

ENGINEERING CHANGE REQUEST LOG			
REV.	ECO	DATE	DRAWNBY
A	1382-077	3/15/2005	JCD

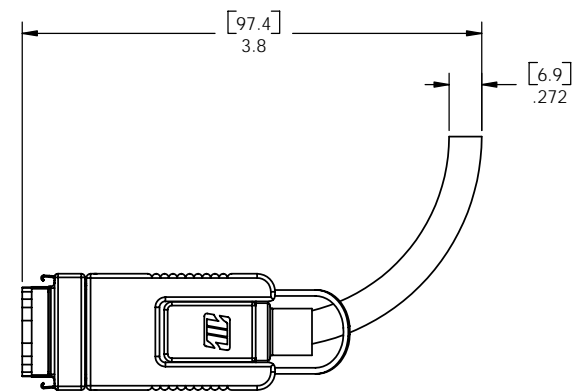



Fig. 3 Cable assembly bend radius 28 AWG

UNLESS OTHERWISE NOTED DIMENSIONS ARE IN INCHES			 MERITEC TM <small>A DIVISION OF ASSOCIATED ENTERPRISES CONFIDENTIAL PROPRIETARY INFORMATION</small>	
.XX ± .010	.XXX ± .002	.XXXX ± .0005	4X CABLE BEND RADIUS	
ANGLES ± 1°	FINISH:	<small>PROJECT No</small> 1382-07701 <small>SCALE</small> 1:0.5 <small>SHEET</small> 1 <small>OF</small> 1		
<small>DRAWN:</small> J DUFOUR	<small>DATE:</small> 1/21/05	<small>REV</small> A		
<small>CHECKED:</small>	<small>DATE:</small>	<small>DWG No</small> 1382-07701		
<small>RELEASED:</small>	<small>DATE:</small>	<small>NEXT ASSY DWG.</small>		