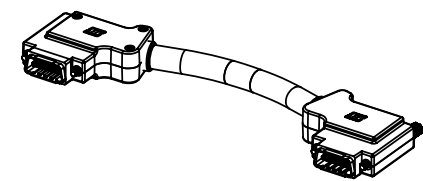
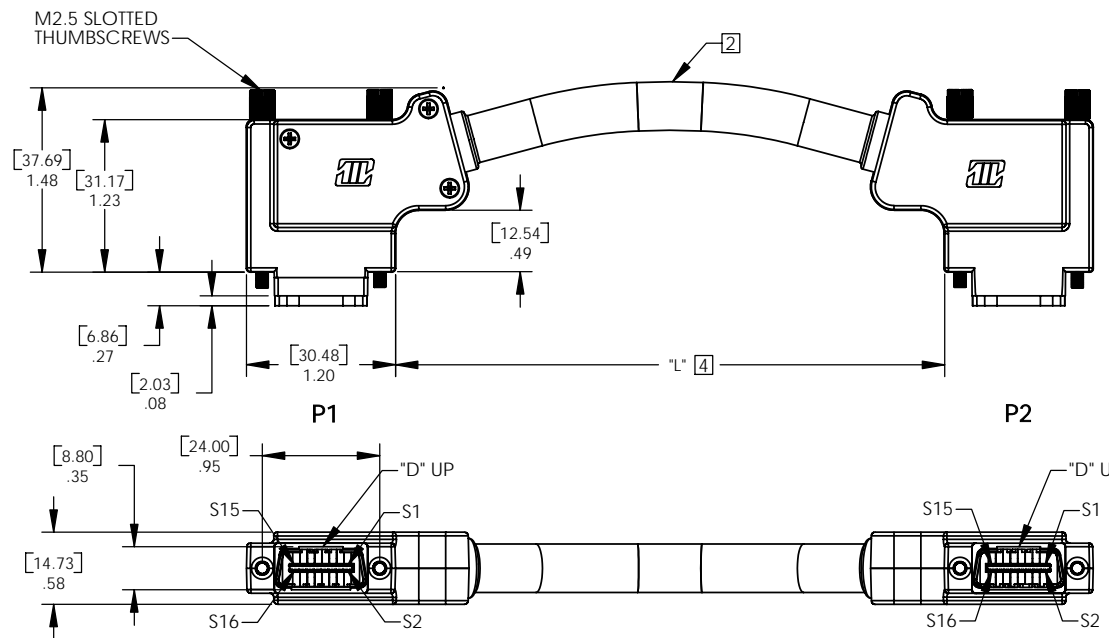


SYM	REVISION	DATE	BY
A	ECO#1382-001	3/16/05	JCD



- 1 INTERFACE CONFORMS TO INFINIBAND™ STANDARD  
PIN OUT CONFORMS TO INFINIBAND™ STANDARD
- 2 LABEL INCLUDES MERITEC; DATE CODE; AND  
PART NUMBER
- 3 LENGTHS ARE BASED ON THE FOLLOWING  
DATA RATES:  
INFINIBAND - 2.5 Gbps  
CX4 - 3.25 Gbps  
SAS - 3.0 Gbps
- 4 TOLERANCE TABLE:

ITEM#	"L" LENGTH	TOLERANCE
1	UP TO 1M	± 15.0mm
2	1M TO 10M	± 3% OF "L"
3	GREATER THAN 10 M	+0/-5% OF "L"

**STANDARD PART NUMBERS - CONSULT FACTORY FOR CUSTOM CONFIGURATIONS  
4X ANGLED BACKSHELL WITH THUMBSCREWS - SAME "D" ORIENTATION**

24 AWG CABLE					26 AWG CABLE					28 AWG CABLE				
"L"	Meritec P/N	IB	CX4	SAS	"L"	Meritec P/N	IB	CX4	SAS	"L"	Meritec P/N	IB	CX4	SAS
Meters					Meters					Meters				
0.5	986212-01-000.5	yes	yes	yes	0.5	986222-01-000.5	yes	yes	yes	0.5	986232-01-000.5	yes	yes	yes
1	986212-01-001	yes	yes	yes	1	986222-01-001	yes	yes	yes	1	986232-01-001	yes	yes	yes
2	986212-01-001	yes	yes	yes	2	986222-01-001	yes	yes	yes	2	986232-01-001	yes	yes	yes
3	986212-01-003	yes	yes	yes	3	986222-01-003	yes	yes	yes	3	986232-01-003	yes	yes	yes
4	986212-01-004	yes	yes	yes	4	986222-01-004	yes	yes	yes	4	986232-01-004	yes	yes	yes
5	986212-01-005	yes	yes	yes	5	986222-01-005	yes	yes	yes	5	986232-01-005	yes	yes	yes
6	986212-01-006	yes	yes	yes	6	986222-01-006	yes	yes	yes	6	986232-01-006	yes	yes	yes
7	986212-01-007	yes	yes	yes	7	986222-01-007	yes	yes	yes	7	986232-01-007	no	yes	yes
8	986212-01-008	yes	yes	yes	8	986222-01-008	no	yes	yes	8	986232-01-008	no	yes	yes
10	986212-01-010	no	yes	yes	10	986222-01-010	no	yes	yes	10	986232-01-010	no	yes	yes
12	986212-01-012	no	yes	yes	11.5	986222-01-011.5	no	yes	yes	11.5	986232-01-011.5	no	yes	no
14	986212-01-014	no	yes	yes	12	986222-01-012	no	yes	no					
16	986212-01-016	no	yes	no	13	986222-01-013	no	yes	no					
17	986212-01-017	no	yes	no										

THIS DOCUMENT AND THE INFORMATION IN IT ARE CONFIDENTIAL PROPERTY OF MERITEC. THE DOCUMENT AND INFORMATION ARE PROVIDED TO YOU FOR YOUR REVIEW AND EVALUATION AND MUST NOT BE FURNISHED OR DISCLOSED TO OTHERS WITHOUT PRIOR WRITTEN CONSENT BY AN AUTHORIZED REPRESENTATIVE OF MERITEC.

UNLESS OTHERWISE NOTED DIMENSIONS ARE IN INCHES  
 .XX    .XXX    .XXXX  
 + [ ]    + [ ]    + [ ]  
 ANGLES    FINISH  
 + [ ]

DRAWN: JCD    DATE: 3/16/05  
 CHECKED:    DATE:  
 RELEASED:    DATE:

PROJECT No:    SCALE:    SHEET:    REV:  
 NA    1    OF    1

FIG No:    1382-00132    REV: A

4x ANGLED DIRECT ATTACH WITH THUMBSCREWS SAME "D" ORIENTATION