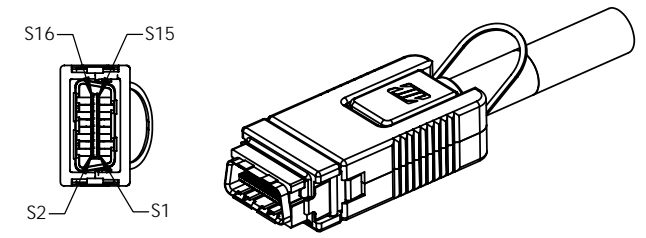
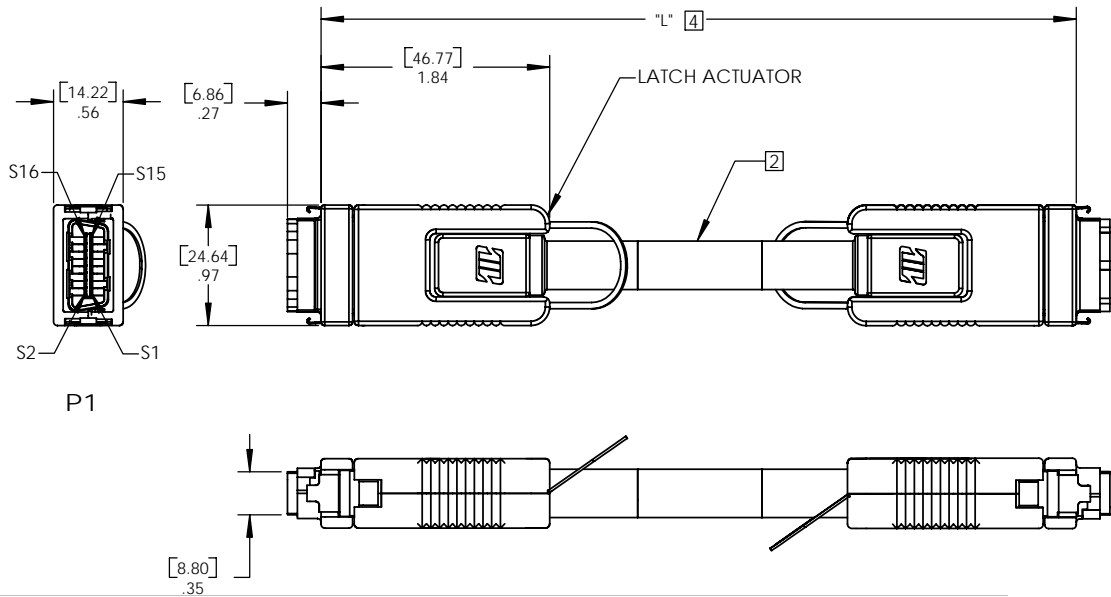


SYM	REVISION	DATE	BY
C	ECO#1382-079	4/6/2005	JCD



P2

- 1 INTERFACE CONFORMS TO INFINIBAND™ STANDARD  
PIN OUT CONFORMS TO INFINIBAND™ STANDARD
- 2 LABEL INCLUDES MERITEC; DATE CODE; AND  
PART NUMBER
- 3 LENGTHS ARE BASED ON THE FOLLOWING  
DATA RATES:  
INFINIBAND - 2.5 Gbps  
CX4 - 3.25 Gbps
- 4 TOLERANCE TABLE:

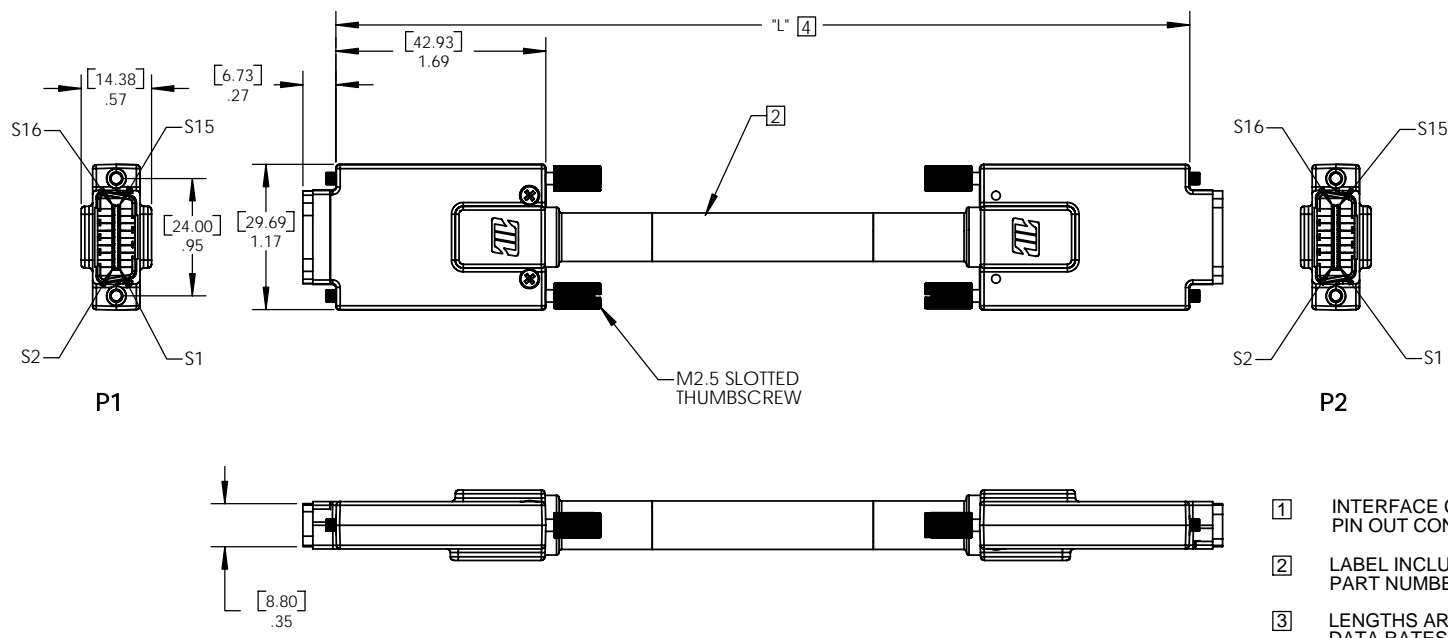
ITEM#	"L" LENGTH	TOLERANCE
1	UP TO 1M	± 15.0mm
2	1M TO 10M	± 3% OF "L"
3	GREATER THAN 10 M	+0/-5% OF "L"

**STANDARD PART NUMBERS - CONSULT FACTORY FOR CUSTOM CONFIGURATIONS**  
**4X STRAIGHT BACKSHELL WITH LATCH ACTUATOR**

24 AWG CABLE				26 AWG CABLE				28 AWG CABLE			
"L"	Meritec P/N	IB	CX4	"L"	Meritec P/N	IB	CX4	"L"	Meritec P/N	IB	CX4
Meters				Meters				Meters			
0.5	986111-000.5	yes	yes	0.5	986121-000.5	yes	yes	0.5	986131-000.5	yes	yes
1	986111-001	yes	yes	1	986121-001	yes	yes	1	986131-001	yes	yes
2	986111-002	yes	yes	2	986121-002	yes	yes	2	986131-002	yes	yes
3	986111-003	yes	yes	3	986121-003	yes	yes	3	986131-003	yes	yes
4	986111-004	yes	yes	4	986121-004	yes	yes	4	986131-004	yes	yes
5	986111-005	yes	yes	5	986121-005	yes	yes	5	986131-005	yes	yes
6	986111-006	yes	yes	6	986121-006	yes	yes	6	986131-006	yes	yes
7	986111-007	yes	yes	7	986121-007	yes	yes	7	986131-007	no	yes
8	986111-008	yes	yes	8	986121-008	no	yes	8	986131-008	no	yes
10	986111-010	no	yes	10	986121-010	no	yes	10	986131-010	no	yes
12	986111-012	no	yes	11.5	986121-011.5	no	yes	11.5	986131-011.5	no	yes
14	986111-014	no	yes	12	986121-012	no	yes				
16	986111-016	no	yes	13	986121-013	no	yes				
17	986111-017	no	yes								

THIS DOCUMENT AND THE INFORMATION IN IT ARE CONFIDENTIAL PROPERTY OF MERITEC. THE DOCUMENT AND INFORMATION ARE PROVIDED TO YOU FOR YOUR REVIEW AND EVALUATION AND MUST NOT BE FURNISHED OR DISCLOSED TO OTHERS WITHOUT PRIOR WRITTEN CONSENT BY AN AUTHORIZED REPRESENTATIVE OF MERITEC.	UNLESS OTHERWISE NOTED DIMENSIONS ARE IN INCHES			<b>MERITEC</b> <small>A DIVISION OF ASSOCIATED ENTERPRISES CONFIDENTIAL PROPRIETARY INFORMATION</small>
	XX	XXX	XXXX	
	+ [ ]	+ [ ]	+ [ ]	4X STRAIGHT DIRECT ATTACH PROJECT No: NA SCALE: 1 OF 1 SHEET: 1
	ANGLES	FINISH		DRAWN: JCD DATE: 8/20/2004 CHECKED: DATE: RELEASED: DATE: NEXT ASSY DWG.
	PROJECT No: NA SCALE: 1 OF 1 SHEET: 1 DWG No: 1382-00121			C

SYM	REVISION	DATE	BY
A	ECO#1382-001	3/17/05	JCD



- 1 INTERFACE CONFORMS TO INFINIBAND™ STANDARD  
PIN OUT CONFORMS TO INFINIBAND™ STANDARD
- 2 LABEL INCLUDES MERITEC; DATE CODE; AND PART NUMBER
- 3 LENGTHS ARE BASED ON THE FOLLOWING DATA RATES:  
INFINIBAND - 2.5 Gbps  
CX4 - 3.25 Gbps  
SAS - 3.0 Gbps

**STANDARD PART NUMBERS - CONSULT FACTORY FOR CUSTOM CONFIGURATIONS**  
**4X STRAIGHT BACKSHELL WITH THUMBSCREWS**

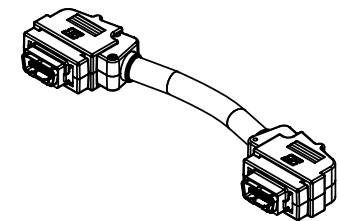
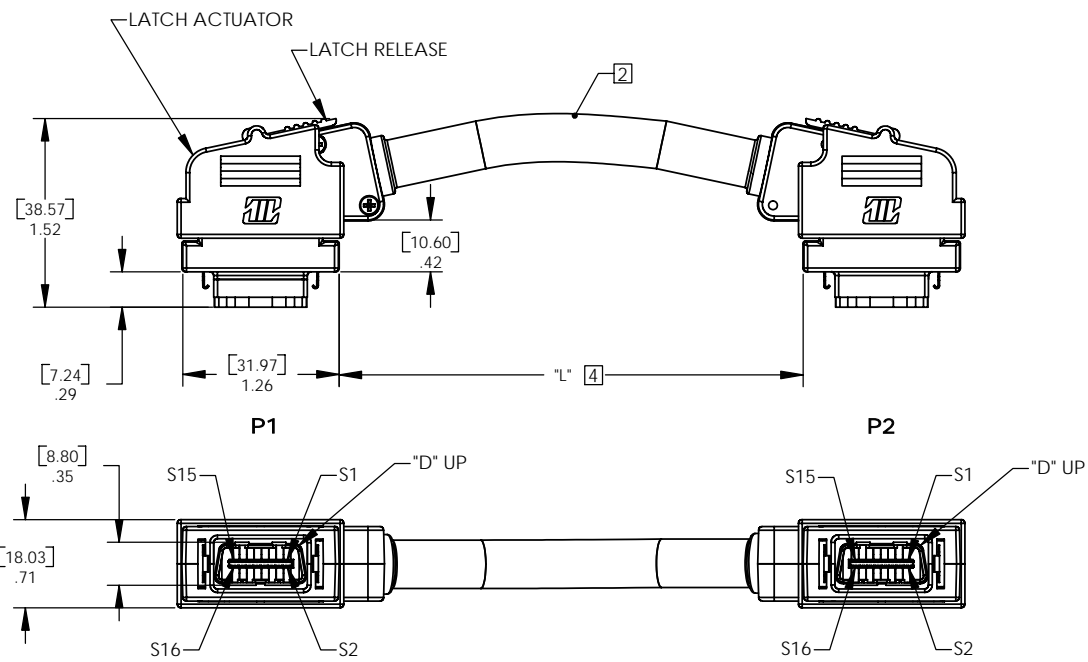
24 AWG CABLE					26 AWG CABLE					28 AWG CABLE				
"L"	Meritec P/N	IB	CX4	SAS	"L"	Meritec P/N	IB	CX4	SAS	"L"	Meritec P/N	IB	CX4	SAS
Meters					Meters					Meters				
0.5	986112-000.5	yes	yes	yes	0.5	986122-000.5	yes	yes	yes	0.5	986132-000.5	yes	yes	yes
1	986112-001	yes	yes	yes	1	986122-001	yes	yes	yes	1	986132-001	yes	yes	yes
2	986112-002	yes	yes	yes	2	986122-002	yes	yes	yes	2	986132-002	yes	yes	yes
3	986112-003	yes	yes	yes	3	986122-003	yes	yes	yes	3	986132-003	yes	yes	yes
4	986112-004	yes	yes	yes	4	986122-004	yes	yes	yes	4	986132-004	yes	yes	yes
5	986112-005	yes	yes	yes	5	986122-005	yes	yes	yes	5	986132-005	yes	yes	yes
6	986112-006	yes	yes	yes	6	986122-006	yes	yes	yes	6	986132-006	yes	yes	yes
7	986112-007	yes	yes	yes	7	986122-007	yes	yes	yes	7	986132-007	no	yes	yes
8	986112-008	yes	yes	yes	8	986122-008	no	yes	yes	8	986132-008	no	yes	yes
10	986112-010	no	yes	yes	10	986122-010	no	yes	yes	10	986132-010	no	yes	yes
12	986112-012	no	yes	yes	11.5	986122-011.5	no	yes	yes	11.5	986132-011.5	no	yes	no
14	986112-014	no	yes	yes	12	986122-012	no	yes	no					
16	986112-016	no	yes	no	13	986122-013	no	yes	no					
17	986112-017	no	yes	no										

4 TOLERANCE TABLE:

ITEM#	"L" LENGTH	TOLERANCE
1	UP TO 1M	± 15.0mm
2	1M TO 10M	± 3% OF "L"
3	GREATER THAN 10 M	+0/-5% OF "L"

THIS DOCUMENT AND THE INFORMATION IN IT ARE CONFIDENTIAL PROPERTY OF MERITEC. THE DOCUMENT AND INFORMATION ARE PROVIDED TO YOU FOR YOUR REVIEW AND EVALUATION AND MUST NOT BE FURNISHED OR DISCLOSED TO OTHERS WITHOUT PRIOR WRITTEN CONSENT BY AN AUTHORIZED REPRESENTATIVE OF MERITEC.	UNLESS OTHERWISE NOTED DIMENSIONS ARE IN INCHES			 <b>MERITEC</b> <small>A DIVISION OF ASSOCIATED ENTERPRISES</small> <small>CONFIDENTIAL PROPRIETARY INFORMATION</small>
	XXX + [ ]	XXX + [ ]	XXXX + [ ]	
	ANGLES + [ ]	FINISH		4X STRAIGHT DIRECT ATTACH WITH THUMBSCREWS
	DRAWN: JCD	DATE: 8/20/2004		PROJECT No: NA SCALE: 1 OF 1 SHEET: 1 OF 1
	CHECKED:	DATE:		DWG No: 1382-00130 BY: A
RELEASED:	DATE:			
NEXT ASSY DWG.				

SYM	REVISION	DATE	BY
A	ECO#1382-001	3/16/05	JCD



- 1 INTERFACE CONFORMS TO INFINIBAND™ STANDARD  
PIN OUT CONFORMS TO INFINIBAND™ STANDARD
- 2 LABEL INCLUDES MERITEC; DATE CODE; AND  
PART NUMBER
- 3 LENGTHS ARE BASED ON THE FOLLOWING  
DATA RATES:  
INFINIBAND - 2.5 Gbps  
CX4 - 3.25 Gbps
- 4 TOLERANCE TABLE:

ITEM#	"L" LENGTH	TOLERANCE
1	UP TO 1M	± 15.0mm
2	1M TO 10M	± 3% OF "L"
3	GREATER THAN 10 M	+0/-5% OF "L"

**STANDARD PART NUMBERS - CONSULT FACTORY FOR CUSTOM CONFIGURATIONS**  
**4X ANGLED BACKSHELL WITH LATCH ACTUATOR - SAME "D" ORIENTATION**

24 AWG CABLE				26 AWG CABLE				28 AWG CABLE			
"L"	Meritec P/N	IB	CX4	"L"	Meritec P/N	IB	CX4	"L"	Meritec P/N	IB	CX4
Meters				Meters				Meters			
0.5	986211-01-000.5	yes	yes	0.5	986221-01-000.5	yes	yes	0.5	986231-01-000.5	yes	yes
1	986211-01-001	yes	yes	1	986221-01-001	yes	yes	1	986231-01-001	yes	yes
2	986211-01-002	yes	yes	2	986221-01-002	yes	yes	2	986231-01-002	yes	yes
3	986211-01-003	yes	yes	3	986221-01-003	yes	yes	3	986231-01-003	yes	yes
4	986211-01-004	yes	yes	4	986221-01-004	yes	yes	4	986231-01-004	yes	yes
5	986211-01-005	yes	yes	5	986221-01-005	yes	yes	5	986231-01-005	yes	yes
6	986211-01-006	yes	yes	6	986221-01-006	yes	yes	6	986231-01-006	yes	yes
7	986211-01-007	yes	yes	7	986221-01-007	yes	yes	7	986231-01-007	no	yes
8	986211-01-008	yes	yes	8	986221-01-008	no	yes	8	986231-01-008	no	yes
10	986211-01-010	no	yes	10	986221-01-010	no	yes	10	986231-01-010	no	yes
12	986211-01-012	no	yes	11.5	986221-01-011.5	no	yes	11.5	986231-01-011.5	no	yes
14	986211-01-014	no	yes	12	986221-01-012	no	yes				
16	986211-01-016	no	yes	13	986221-01-013	no	yes				
17	986211-01-017	no	yes								

THIS DOCUMENT AND THE INFORMATION IN IT ARE CONFIDENTIAL PROPERTY OF MERITEC. THE DOCUMENT AND INFORMATION ARE PROVIDED TO YOU FOR YOUR REVIEW AND EVALUATION AND MUST NOT BE FURNISHED OR DISCLOSED TO OTHERS WITHOUT PRIOR WRITTEN CONSENT BY AN AUTHORIZED REPRESENTATIVE OF MERITEC.

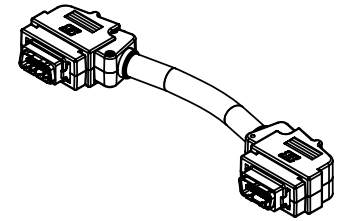
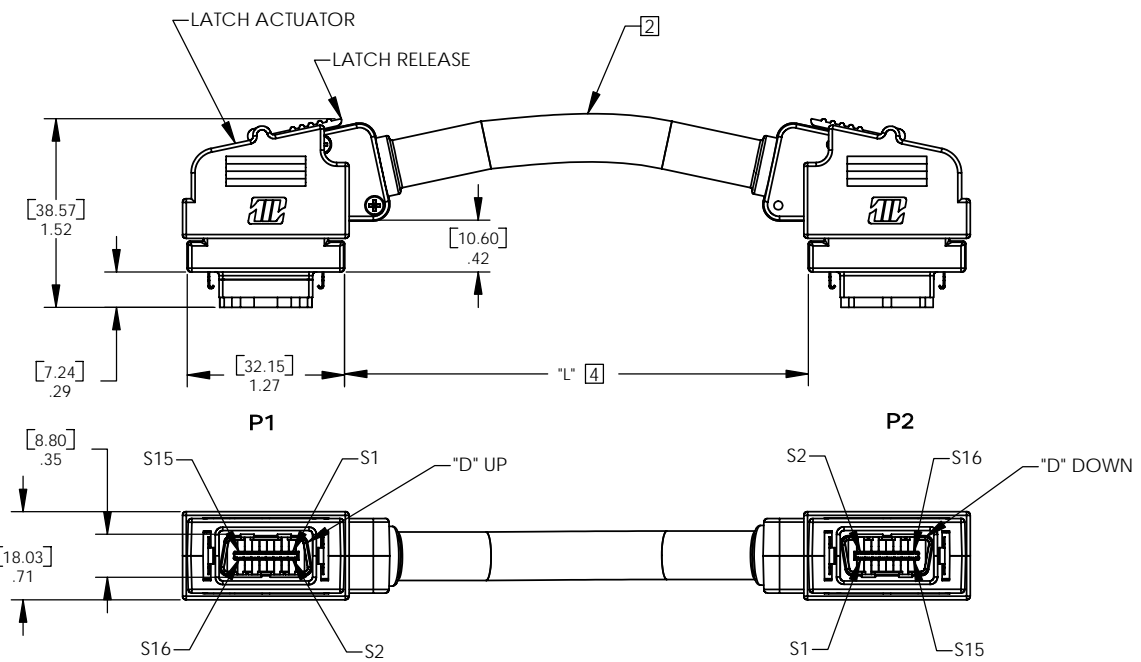
UNLESS OTHERWISE NOTED DIMENSIONS ARE IN INCHES  
 .XX .XXX .XXXX  
 + [ ] + [ ] + [ ]  
 ANGLES FINISH  
 + [ ]

DRAWN: JCD DATE: 3/16/05  
 CHECKED: DATE:  
 RELEASED: DATE:  
 NEXT ASSY DWG.

PROJECT No: 1382-00129  
 SCALE: NA  
 SHEET: 1 OF 1  
 REV: A

**MERITEC**  
 A DIVISION OF ASSOCIATED ENTERPRISES  
 CONFIDENTIAL PROPRIETARY INFORMATION

SYM	REVISION	DATE	BY
D	ECO#1382-079	4/6/2005	JCD



- 1 INTERFACE CONFORMS TO INFINIBAND™ STANDARD  
PIN OUT CONFORMS TO INFINIBAND™ STANDARD
- 2 LABEL INCLUDES MERITEC; DATE CODE; AND  
PART NUMBER
- 3 LENGTHS ARE BASED ON THE FOLLOWING  
DATA RATES:  
INFINIBAND - 2.5 Gbps  
CX4 - 3.25 Gbps
- 4 TOLERANCE TABLE:

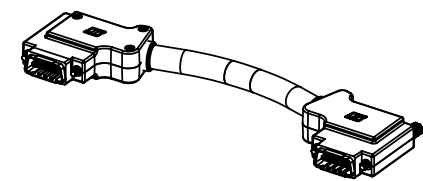
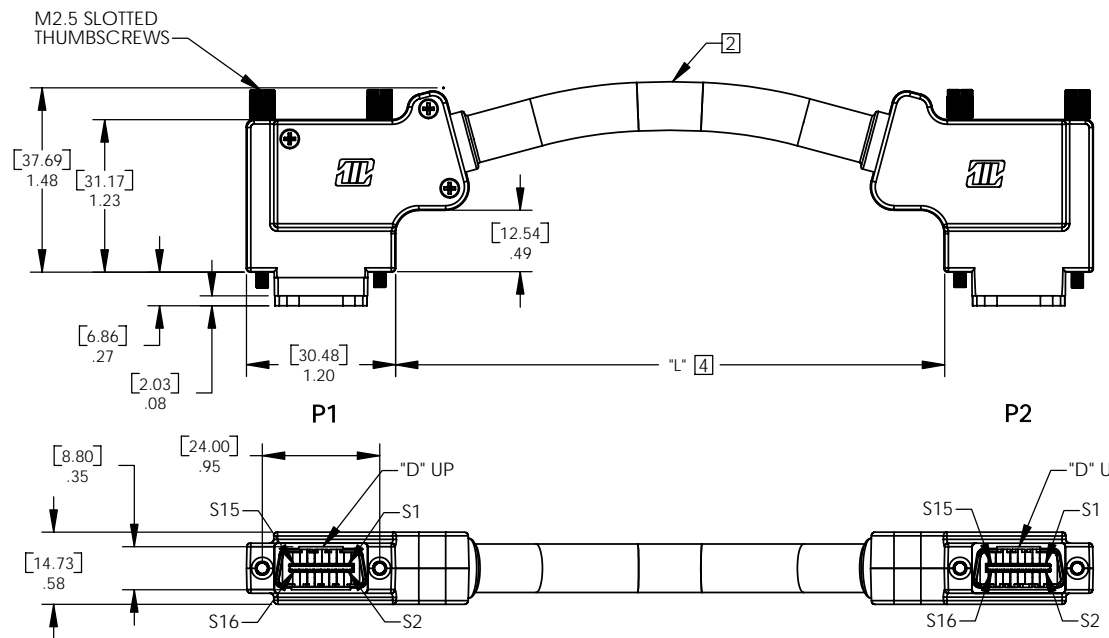
ITEM#	"L" LENGTH	TOLERANCE
1	UP TO 1M	± 15.0mm
2	1M TO 10M	± 3% OF "L"
3	GREATER THAN 10 M	+0/-5% OF "L"

**STANDARD PART NUMBERS - CONSULT FACTORY FOR CUSTOM CONFIGURATIONS  
4X ANGLED BACKSHELL WITH LATCH ACTUATOR - OPPOSITE "D" ORIENTATION**

24 AWG CABLE				26 AWG CABLE				28 AWG CABLE			
"L"	Meritec P/N	IB	CX4	"L"	Meritec P/N	IB	CX4	"L"	Meritec P/N	IB	CX4
Meters				Meters				Meters			
0.5	986211-00-000.5	yes	yes	0.5	986221-00-000.5	yes	yes	0.5	986231-00-000.5	yes	yes
1	986211-00-001	yes	yes	1	986221-00-001	yes	yes	1	986231-00-001	yes	yes
2	986211-00-002	yes	yes	2	986221-00-002	yes	yes	2	986231-00-002	yes	yes
3	986211-00-003	yes	yes	3	986221-00-003	yes	yes	3	986231-00-003	yes	yes
4	986211-00-004	yes	yes	4	986221-00-004	yes	yes	4	986231-00-004	yes	yes
5	986211-00-005	yes	yes	5	986221-00-005	yes	yes	5	986231-00-005	yes	yes
6	986211-00-006	yes	yes	6	986221-00-006	yes	yes	6	986231-00-006	yes	yes
7	986211-00-007	yes	yes	7	986221-00-007	yes	yes	7	986231-00-007	no	yes
8	986211-00-008	yes	yes	8	986221-00-008	no	yes	8	986231-00-008	no	yes
10	986211-00-010	no	yes	10	986221-00-010	no	yes	10	986231-00-010	no	yes
12	986211-00-012	no	yes	11.5	986221-00-011.5	no	yes	11.5	986231-00-011.5	no	yes
14	986211-00-014	no	yes	12	986221-00-012	no	yes				
16	986211-00-016	no	yes	13	986221-00-013	no	yes				
17	986211-00-017	no	yes								

THIS DOCUMENT AND THE INFORMATION IN IT ARE CONFIDENTIAL PROPERTY OF MERITEC. THE DOCUMENT AND INFORMATION ARE PROVIDED TO YOU FOR YOUR REVIEW AND EVALUATION AND MUST NOT BE FURNISHED OR DISCLOSED TO OTHERS WITHOUT PRIOR WRITTEN CONSENT BY AN AUTHORIZED REPRESENTATIVE OF MERITEC.	UNLESS OTHERWISE NOTED DIMENSIONS ARE IN INCHES			 <small>A DIVISION OF ASSOCIATED ENTERPRISES CONFIDENTIAL PROPRIETARY INFORMATION</small>
	XX	XXX	XXXX	
	+ [ ]	+ [ ]	+ [ ]	4X ANGLED DIRECT ATTACH OPPOSITE "D" ORIENTATION
	ANGLES	FINISH	DATE: 8/20/2004	PROJECT No: NA SCALE: 1 OF 1
	DRAWN: JCD	CHECKED:	DATE:	FIG. No: 1382-00122 REV: D

SYM	REVISION	DATE	BY
A	ECO#1382-001	3/16/05	JCD



- 1 INTERFACE CONFORMS TO INFIBAND™ STANDARD  
PIN OUT CONFORMS TO INFIBAND™ STANDARD
- 2 LABEL INCLUDES MERITEC; DATE CODE; AND  
PART NUMBER
- 3 LENGTHS ARE BASED ON THE FOLLOWING  
DATA RATES:  
INFIBAND - 2.5 Gbps  
CX4 - 3.25 Gbps  
SAS - 3.0 Gbps
- 4 TOLERANCE TABLE:

ITEM#	"L" LENGTH	TOLERANCE
1	UP TO 1M	± 15.0mm
2	1M TO 10M	± 3% OF "L"
3	GREATER THAN 10 M	+0/-5% OF "L"

**STANDARD PART NUMBERS - CONSULT FACTORY FOR CUSTOM CONFIGURATIONS  
4X ANGLED BACKSHELL WITH THUMBSCREWS - SAME "D" ORIENTATION**

24 AWG CABLE					26 AWG CABLE					28 AWG CABLE				
"L"	Meritec P/N	IB	CX4	SAS	"L"	Meritec P/N	IB	CX4	SAS	"L"	Meritec P/N	IB	CX4	SAS
Meters					Meters					Meters				
0.5	986212-01-000.5	yes	yes	yes	0.5	986222-01-000.5	yes	yes	yes	0.5	986232-01-000.5	yes	yes	yes
1	986212-01-001	yes	yes	yes	1	986222-01-001	yes	yes	yes	1	986232-01-001	yes	yes	yes
2	986212-01-001	yes	yes	yes	2	986222-01-001	yes	yes	yes	2	986232-01-001	yes	yes	yes
3	986212-01-003	yes	yes	yes	3	986222-01-003	yes	yes	yes	3	986232-01-003	yes	yes	yes
4	986212-01-004	yes	yes	yes	4	986222-01-004	yes	yes	yes	4	986232-01-004	yes	yes	yes
5	986212-01-005	yes	yes	yes	5	986222-01-005	yes	yes	yes	5	986232-01-005	yes	yes	yes
6	986212-01-006	yes	yes	yes	6	986222-01-006	yes	yes	yes	6	986232-01-006	yes	yes	yes
7	986212-01-007	yes	yes	yes	7	986222-01-007	yes	yes	yes	7	986232-01-007	no	yes	yes
8	986212-01-008	yes	yes	yes	8	986222-01-008	no	yes	yes	8	986232-01-008	no	yes	yes
10	986212-01-010	no	yes	yes	10	986222-01-010	no	yes	yes	10	986232-01-010	no	yes	yes
12	986212-01-012	no	yes	yes	11.5	986222-01-011.5	no	yes	yes	11.5	986232-01-011.5	no	yes	no
14	986212-01-014	no	yes	yes	12	986222-01-012	no	yes	no					
16	986212-01-016	no	yes	no	13	986222-01-013	no	yes	no					
17	986212-01-017	no	yes	no										

THIS DOCUMENT AND THE INFORMATION IN IT ARE CONFIDENTIAL PROPERTY OF MERITEC. THE DOCUMENT AND INFORMATION ARE PROVIDED TO YOU FOR YOUR REVIEW AND EVALUATION AND MUST NOT BE FURNISHED OR DISCLOSED TO OTHERS WITHOUT PRIOR WRITTEN CONSENT BY AN AUTHORIZED REPRESENTATIVE OF MERITEC.

UNLESS OTHERWISE NOTED DIMENSIONS ARE IN INCHES  
 .XX    .XXX    .XXXX  
 + [ ]    + [ ]    + [ ]  
 ANGLES    FINISH  
 + [ ]

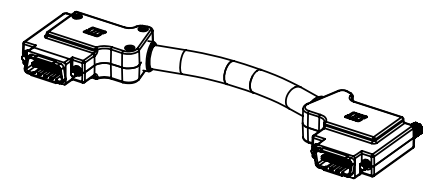
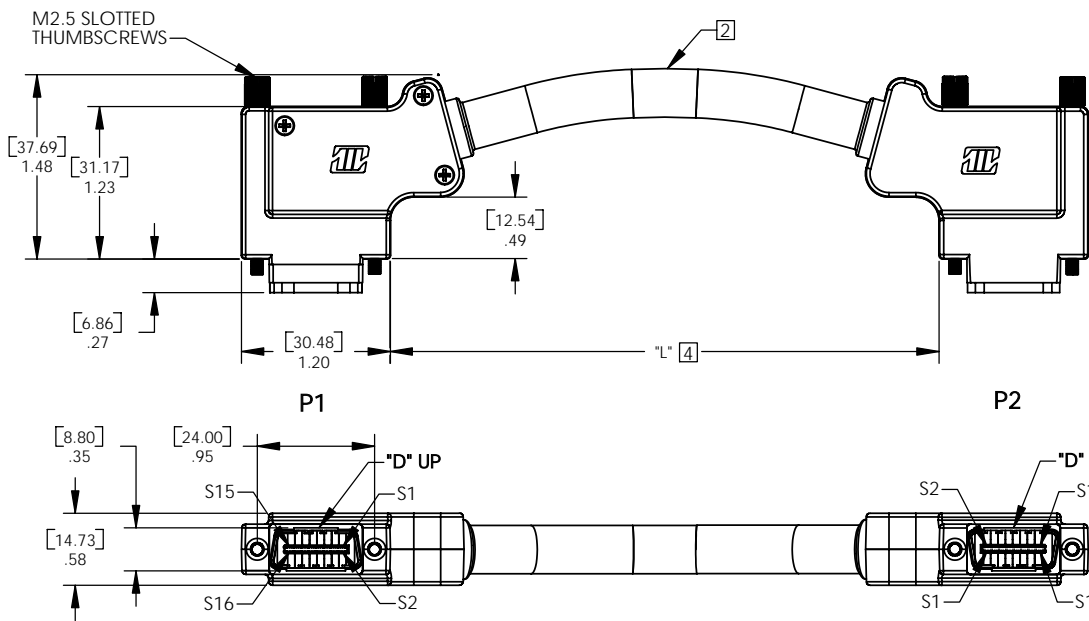
DRAWN: JCD    DATE: 3/16/05  
 CHECKED:    DATE:  
 RELEASED:    DATE:

PROJECT No:    SCALE:    SHEET:    REV:  
 NA    1    OF    1

FIG No:    1382-00132    REV:    A

4x ANGLED DIRECT ATTACH WITH THUMBSCREWS SAME "D" ORIENTATION

SYM	REVISION	DATE	BY
A	ECO#1382-001	3/16/05	JCD



- 1 INTERFACE CONFORMS TO INFINIBAND™ STANDARD  
PIN OUT CONFORMS TO INFINIBAND™ STANDARD
- 2 LABEL INCLUDES MERITEC; DATE CODE; AND PART NUMBER
- 3 LENGTHS ARE BASED ON THE FOLLOWING DATA RATES:  
INFINIBAND - 2.5 Gbps  
CX4 - 3.25 Gbps  
SAS - 3.0 Gbps
- 4 TOLERANCE TABLE:

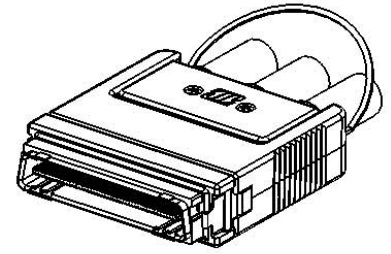
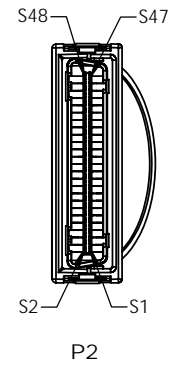
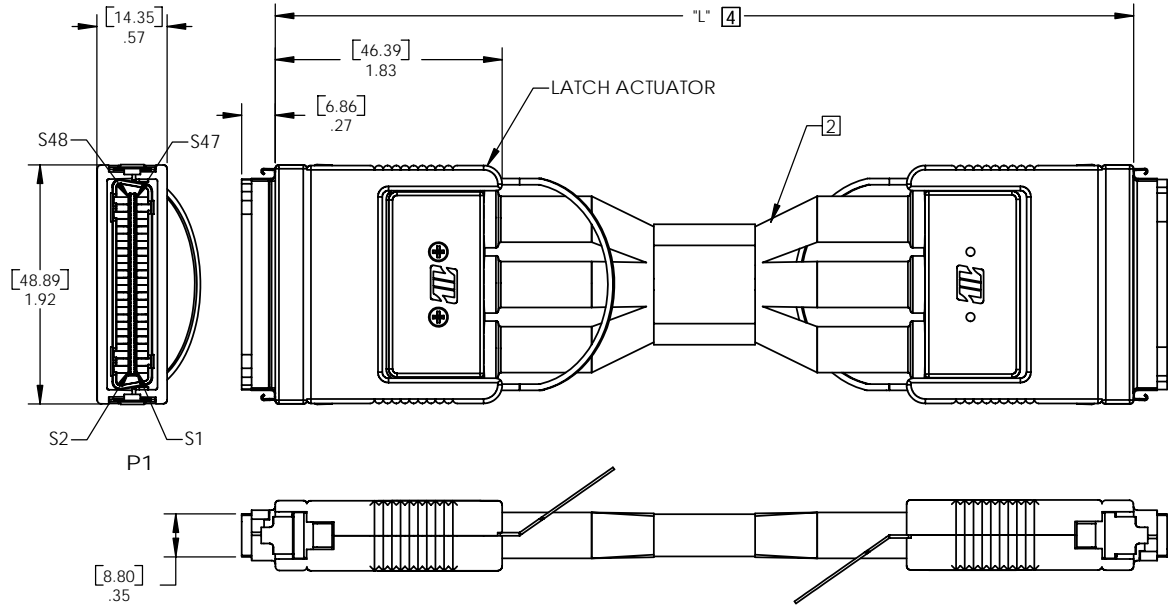
ITEM#	"L" LENGTH	TOLERANCE
1	UP TO 1M	± 15.0mm
2	1M TO 10M	± 3% OF "L"
3	GREATER THAN 10 M	+0/-5% OF "L"

**STANDARD PART NUMBERS - CONSULT FACTORY FOR CUSTOM CONFIGURATIONS**  
**4X ANGLED BACKSHELL WITH THUMBSCREWS - OPPOSITE "D" ORIENTATION**

24 AWG CABLE					26 AWG CABLE					28 AWG CABLE				
"L"	Meritec P/N	IB	CX4	SAS	"L"	Meritec P/N	IB	CX4	SAS	"L"	Meritec P/N	IB	CX4	SAS
Meters					Meters					Meters				
0.5	986212-00-000.5	yes	yes	yes	0.5	986222-00-000.5	yes	yes	yes	0.5	986232-00-000.5	yes	yes	yes
1	986212-00-001	yes	yes	yes	1	986222-00-001	yes	yes	yes	1	986232-00-001	yes	yes	yes
2	986212-00-002	yes	yes	yes	2	986222-00-002	yes	yes	yes	2	986232-00-002	yes	yes	yes
3	986212-00-003	yes	yes	yes	3	986222-00-003	yes	yes	yes	3	986232-00-003	yes	yes	yes
4	986212-00-004	yes	yes	yes	4	986222-00-004	yes	yes	yes	4	986232-00-004	yes	yes	yes
5	986212-00-005	yes	yes	yes	5	986222-00-005	yes	yes	yes	5	986232-00-005	yes	yes	yes
6	986212-00-006	yes	yes	yes	6	986222-00-006	yes	yes	yes	6	986232-00-006	yes	yes	yes
7	986212-00-007	yes	yes	yes	7	986222-00-007	yes	yes	yes	7	986232-00-007	no	yes	yes
8	986212-00-008	yes	yes	yes	8	986222-00-008	no	yes	yes	8	986232-00-008	no	yes	yes
10	986212-00-010	no	yes	yes	10	986222-00-010	no	yes	yes	10	986232-00-010	no	yes	yes
12	986212-00-012	no	yes	yes	11.5	986222-00-011.5	no	yes	yes	11.5	986232-00-011.5	no	yes	no
14	986212-00-014	no	yes	yes	12	986222-00-012	no	yes	no					
16	986212-00-016	no	yes	no	13	986222-00-013	no	yes	no					
17	986212-00-017	no	yes	no										

THIS DOCUMENT AND THE INFORMATION IN IT ARE CONFIDENTIAL PROPERTY OF MERITEC. THE DOCUMENT AND INFORMATION ARE PROVIDED TO YOU FOR YOUR REVIEW AND EVALUATION AND MUST NOT BE FURNISHED OR DISCLOSED TO OTHERS WITHOUT PRIOR WRITTEN CONSENT BY AN AUTHORIZED REPRESENTATIVE OF MERITEC.	UNLESS OTHERWISE NOTED DIMENSIONS ARE IN INCHES			 MERITEC <small>A DIVISION OF ASSOCIATED ENTERPRISES</small> <small>CONFIDENTIAL PROPRIETARY INFORMATION</small>
	.XX	.XXX	.XXXX	
	+ [ ]	+ [ ]	+ [ ]	
	ANGLES	FINISH		
	+ [ ]			
DRAWN: JCD	DATE: 3/16/05	PROJECT No: _____ SCALE: _____ SHEET: _____ NA 1 OF 1		
CHECKED: _____	DATE: _____	DWG No: 1382-00131 REV: A		
RELEASED: _____	DATE: _____			
NEXT ASSY DWG: _____				

SYM	REVISION	DATE	BY
C	ECO#1382-079	4/6/2005	JCD



- 1 INTERFACE CONFORMS TO INFINIBAND™ STANDARD  
PIN OUT CONFORMS TO INFINIBAND™ STANDARD
- 2 LABEL INCLUDES MERITEC; DATE CODE; AND  
PART NUMBER
- 3 LENGTHS ARE BASED ON THE FOLLOWING  
DATA RATES:  
INFINIBAND - 2.5 Gbps  
CX4 - 3.25 Gbps
- 4 TOLERANCE TABLE:

ITEM#	"L" LENGTH	TOLERANCE
1	UP TO 1M	± 15.0mm
2	1M TO 10M	± 3% OF "L"
3	GREATER THAN 10 M	+0/-5% OF "L"

**STANDARD PART NUMBERS - CONSULT FACTORY FOR CUSTOM CONFIGURATIONS**  
**12X STRAIGHT BACKSHELL WITH LATCH ACTUATOR**

24 AWG CABLE				26 AWG CABLE				28 AWG CABLE			
"L"	Meritec P/N	IB	CX4	"L"	Meritec P/N	IB	CX4	"L"	Meritec P/N	IB	CX4
Meters				Meters				Meters			
0.5	987111-000.5	yes	yes	0.5	987121-000.5	yes	yes	0.5	987131-000.5	yes	yes
1	987111-001	yes	yes	1	987121-001	yes	yes	1	987131-001	yes	yes
2	987111-002	yes	yes	2	987121-002	yes	yes	2	987131-002	yes	yes
3	987111-003	yes	yes	3	987121-003	yes	yes	3	987131-003	yes	yes
4	987111-004	yes	yes	4	987121-004	yes	yes	4	987131-004	yes	yes
5	987111-005	yes	yes	5	987121-005	yes	yes	5	987131-005	yes	yes
6	987111-006	yes	yes	6	987121-006	yes	yes	6	987131-006	yes	yes
7	987111-007	yes	yes	7	987121-007	yes	yes	7	987131-007	no	yes
8	987111-008	yes	yes	8	987121-008	no	yes	8	987131-008	no	yes
10	987111-010	no	yes	10	987121-010	no	yes	10	987131-010	no	yes
12	987111-012	no	yes	11.5	987121-011.5	no	yes	11.5	987131-011.5	no	yes
14	987111-014	no	yes	12	987121-012	no	yes				
16	987111-016	no	yes	13	987121-013	no	yes				
17	987111-017	no	yes								

THIS DOCUMENT AND THE INFORMATION IN IT ARE CONFIDENTIAL PROPERTY OF MERITEC. THE DOCUMENT AND INFORMATION ARE PROVIDED TO YOU FOR YOUR REVIEW AND EVALUATION AND MUST NOT BE FURNISHED OR DISCLOSED TO OTHERS WITHOUT PRIOR WRITTEN CONSENT BY AN AUTHORIZED REPRESENTATIVE OF MERITEC.

UNLESS OTHERWISE NOTED DIMENSIONS ARE IN INCHES

.XX	.XXX	.XXXX
+ [ ]	+ [ ]	+ [ ]

ANGLES: + [ ] FINISH: + [ ]

DRAWN: JCD DATE: 4/6/2005

CHECKED: DATE:

RELEASED: DATE:

NEXT ASSY DWG.

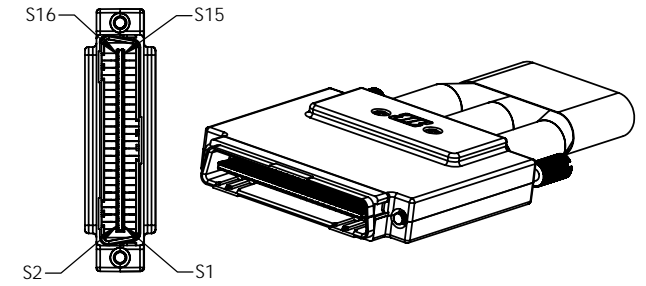
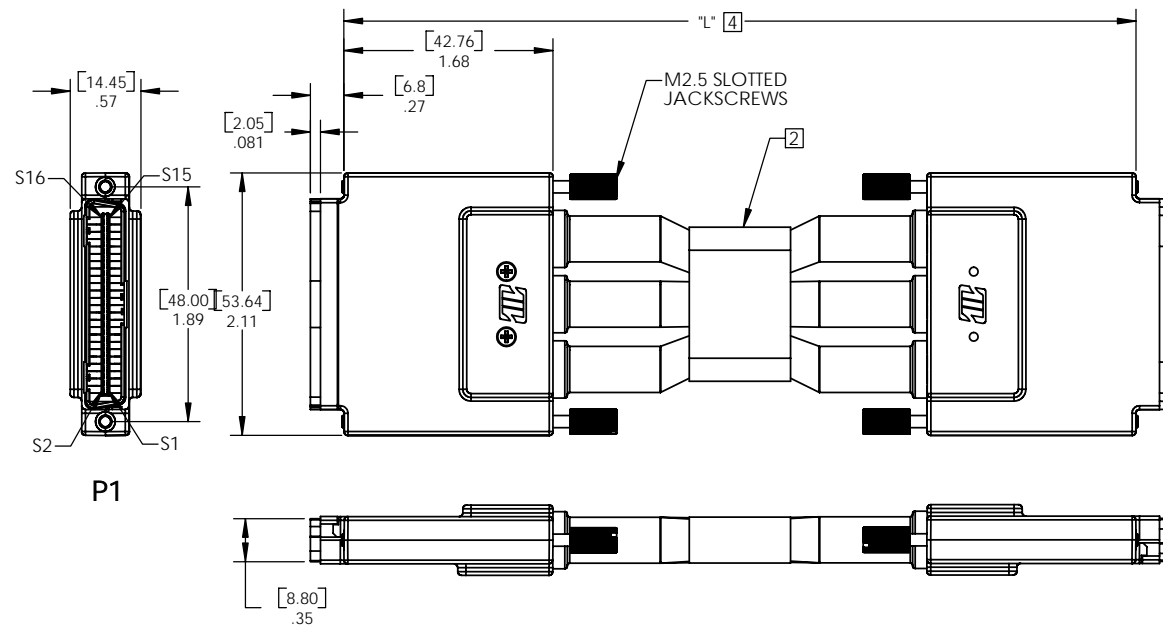
**MERITEC**  
A DIVISION OF ASSOCIATED ENTERPRISES  
CONFIDENTIAL PROPRIETARY INFORMATION

12X DIRECT ATTACH ASSY

PROJECT No: NA SCALE: 1 OF 1 SHEET

DWG No: 1382-00123 REV: C

SYM	REVISION	DATE	BY
A	ECO#1382-001	4/6/2005	JCD



- P2**
- 1 INTERFACE CONFORMS TO INFINIBAND™ STANDARD  
PIN OUT CONFORMS TO INFINIBAND™ STANDARD
  - 2 LABEL INCLUDES MERITEC; DATE CODE; AND PART NUMBER
  - 3 LENGTHS ARE BASED ON THE FOLLOWING DATA RATES:  
INFINIBAND - 2.5 Gbps  
CX4 - 3.25 Gbps  
SAS - 3.0 Gbps

**STANDARD PART NUMBERS - CONSULT FACTORY FOR CUSTOM CONFIGURATIONS**  
**12X STRAIGHT BACKSHELL WITH THUMBSCREWS**

24 AWG CABLE					26 AWG CABLE					28 AWG CABLE				
"L"	Meritec P/N	IB	CX4	SAS	"L"	Meritec P/N	IB	CX4	SAS	"L"	Meritec P/N	IB	CX4	SAS
Meters					Meters					Meters				
0.5	987112-000.5	yes	yes	yes	0.5	987122-000.5	yes	yes	yes	0.5	987132-000.5	yes	yes	yes
1	987112-001	yes	yes	yes	1	987122-001	yes	yes	yes	1	987132-001	yes	yes	yes
2	987112-002	yes	yes	yes	2	987122-002	yes	yes	yes	2	987132-002	yes	yes	yes
3	987112-003	yes	yes	yes	3	987122-003	yes	yes	yes	3	987132-003	yes	yes	yes
4	987112-004	yes	yes	yes	4	987122-004	yes	yes	yes	4	987132-004	yes	yes	yes
5	987112-005	yes	yes	yes	5	987122-005	yes	yes	yes	5	987132-005	yes	yes	yes
6	987112-006	yes	yes	yes	6	987122-006	yes	yes	yes	6	987132-006	yes	yes	yes
7	987112-007	yes	yes	yes	7	987122-007	yes	yes	yes	7	987132-007	no	yes	yes
8	987112-008	yes	yes	yes	8	987122-008	no	yes	yes	8	987132-008	no	yes	yes
10	987112-010	no	yes	yes	10	987122-010	no	yes	yes	10	987132-010	no	yes	yes
12	987112-012	no	yes	yes	11.5	987122-011.5	no	yes	yes	11.5	987132-011.5	no	yes	no
14	987112-014	no	yes	yes	12	987122-012	no	yes	no					
16	987112-016	no	yes	no	13	987122-013	no	yes	no					
17	987112-017	no	yes	no										

**4 TOLERANCE TABLE:**

ITEM#	"L" LENGTH	TOLERANCE
1	UP TO 1M	± 15.0mm
2	1M TO 10M	± 3% OF "L"
3	GREATER THAN 10 M	+0/-5% OF "L"

THIS DOCUMENT AND THE INFORMATION IN IT ARE CONFIDENTIAL PROPERTY OF MERITEC. THE DOCUMENT AND INFORMATION ARE PROVIDED TO YOU FOR YOUR REVIEW AND EVALUATION AND MUST NOT BE FURNISHED OR DISCLOSED TO OTHERS WITHOUT PRIOR WRITTEN CONSENT BY AN AUTHORIZED REPRESENTATIVE OF MERITEC.

UNLESS OTHERWISE NOTED DIMENSIONS ARE IN INCHES

XX	XXX	XXXX
+ [ ]	+ [ ]	+ [ ]

ANGLES FINISH

DRAWN: JCD DATE: 8/20/2004

CHECKED: DATE:

RELEASED: DATE:

NEXT ASSY DWG.

PROJECT No: 12X DIE CAST THUMBSCREW ASSY

SCALE: NA SHEET: 1 OF 1

FIG No: 1382-00133

A

