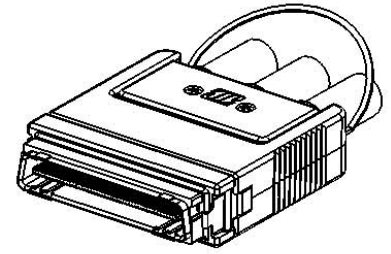
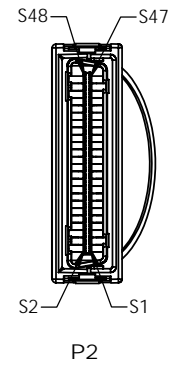
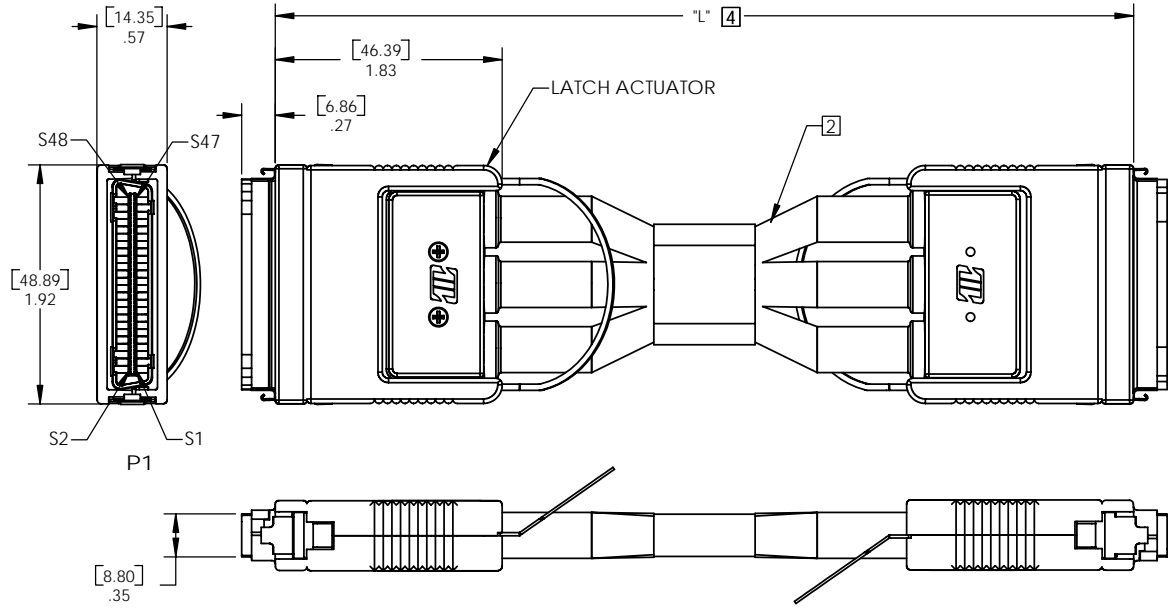


SYM	REVISION	DATE	BY
C	ECO#1382-079	4/6/2005	JCD



- 1 INTERFACE CONFORMS TO INFINIBAND™ STANDARD  
PIN OUT CONFORMS TO INFINIBAND™ STANDARD
- 2 LABEL INCLUDES MERITEC; DATE CODE; AND  
PART NUMBER
- 3 LENGTHS ARE BASED ON THE FOLLOWING  
DATA RATES:  
INFINIBAND - 2.5 Gbps  
CX4 - 3.25 Gbps
- 4 TOLERANCE TABLE:

ITEM#	"L" LENGTH	TOLERANCE
1	UP TO 1M	± 15.0mm
2	1M TO 10M	± 3% OF "L"
3	GREATER THAN 10 M	+0/-5% OF "L"

**STANDARD PART NUMBERS - CONSULT FACTORY FOR CUSTOM CONFIGURATIONS**  
**12X STRAIGHT BACKSHELL WITH LATCH ACTUATOR**

24 AWG CABLE				26 AWG CABLE				28 AWG CABLE			
"L"	Meritec P/N	IB	CX4	"L"	Meritec P/N	IB	CX4	"L"	Meritec P/N	IB	CX4
0.5	987111-000.5	yes	yes	0.5	987121-000.5	yes	yes	0.5	987131-000.5	yes	yes
1	987111-001	yes	yes	1	987121-001	yes	yes	1	987131-001	yes	yes
2	987111-002	yes	yes	2	987121-002	yes	yes	2	987131-002	yes	yes
3	987111-003	yes	yes	3	987121-003	yes	yes	3	987131-003	yes	yes
4	987111-004	yes	yes	4	987121-004	yes	yes	4	987131-004	yes	yes
5	987111-005	yes	yes	5	987121-005	yes	yes	5	987131-005	yes	yes
6	987111-006	yes	yes	6	987121-006	yes	yes	6	987131-006	yes	yes
7	987111-007	yes	yes	7	987121-007	yes	yes	7	987131-007	no	yes
8	987111-008	yes	yes	8	987121-008	no	yes	8	987131-008	no	yes
10	987111-010	no	yes	10	987121-010	no	yes	10	987131-010	no	yes
12	987111-012	no	yes	11.5	987121-011.5	no	yes	11.5	987131-011.5	no	yes
14	987111-014	no	yes	12	987121-012	no	yes				
16	987111-016	no	yes	13	987121-013	no	yes				
17	987111-017	no	yes								

THIS DOCUMENT AND THE INFORMATION IN IT ARE CONFIDENTIAL PROPERTY OF MERITEC. THE DOCUMENT AND INFORMATION ARE PROVIDED TO YOU FOR YOUR REVIEW AND EVALUATION AND MUST NOT BE FURNISHED OR DISCLOSED TO OTHERS WITHOUT PRIOR WRITTEN CONSENT BY AN AUTHORIZED REPRESENTATIVE OF MERITEC.

UNLESS OTHERWISE NOTED DIMENSIONS ARE IN INCHES  
 .XX    .XXX    .XXXX  
 + [ ]    + [ ]    + [ ]  
 ANGLES    FINISH  
 + [ ]

DRAWN: JCD    DATE: 4/6/2005  
 CHECKED:    DATE:  
 RELEASED:    DATE:  
 NEXT ASSY DWG.

**MERITEC**  
 A DIVISION OF ASSOCIATED ENTERPRISES  
 CONFIDENTIAL PROPRIETARY INFORMATION

12X DIRECT ATTACH ASSY

PROJECT No:    SCALE:    SHEET:    OF:    1  
 NA    1    OF    1

DWG No:    REV:    C  
 1382-00123