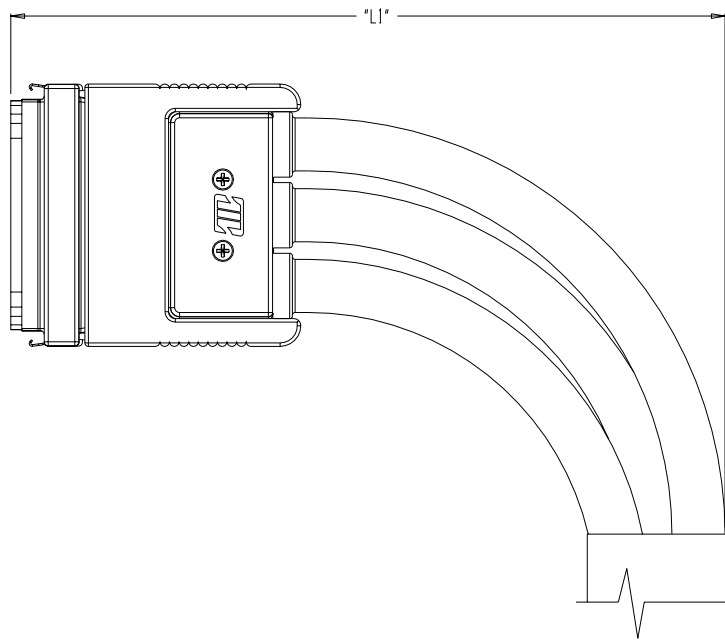
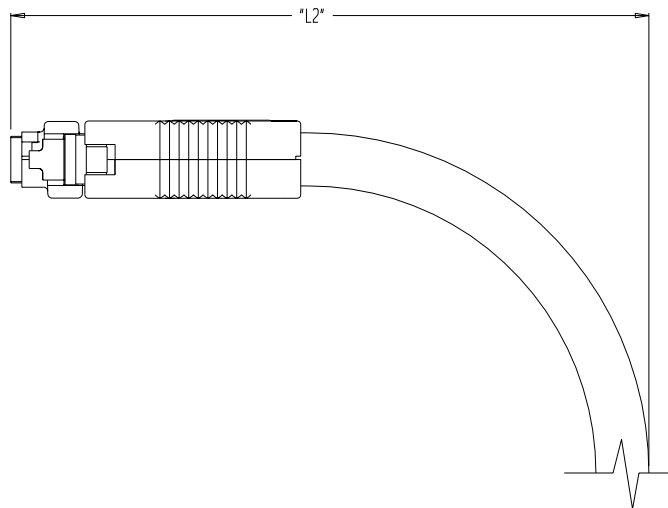


SYM	REVISION	DATE	BY
A	ECD#1382-077	5/12/05	JCD




BEND RADIUS CHART		
	"L1" BEND	"L2" BEND
24 AWG	5.25 IN	4.70 IN
26 AWG	5.00 IN	4.10 IN
28 AWG	4.75 IN	3.80 IN



THIS DOCUMENT AND THE INFORMATION IN IT ARE CONFIDENTIAL PROPERTY OF MERITEC. THE DOCUMENT AND INFORMATION ARE PROVIDED TO YOU FOR YOUR REVIEW AND EVALUATION AND MUST NOT BE FURNISHED OR DISCLOSED TO OTHERS WITHOUT PRIOR WRITTEN CONSENT BY AN AUTHORIZED REPRESENTATIVE OF MERITEC.

UNLESS OTHERWISE NOTED DIMENSIONS ARE IN INCHES		
.XX ± []	.XXX ± []	.XXXX ± []
ANGLES ± []		FINISH:
DRAWN: JOLFOUR	DATE: 5/12/05	
CHECKED:	DATE:	
RELEASED:	DATE:	
NEXT ASS'Y DWG.		

 MERITEC <small>A DIVISION OF ASSOCIATED ENTERPRISES CONFIDENTIAL PROPRIETARY INFORMATION</small>		
12x Cable Assy Bend Radius		
PROJECT No	SCALE	SHEET
	NA	1 OF 1
DWG No	A	
1382-07702		